

LED Bulbs Series(A60)

-----RJ-A60-10W

Features

Patented thermal structure design.
Energy saving 50%.

High brightness,low power led light,heat distribution,effective solution to cooling problems

Color rendering index>80 .More realistic color reproduction

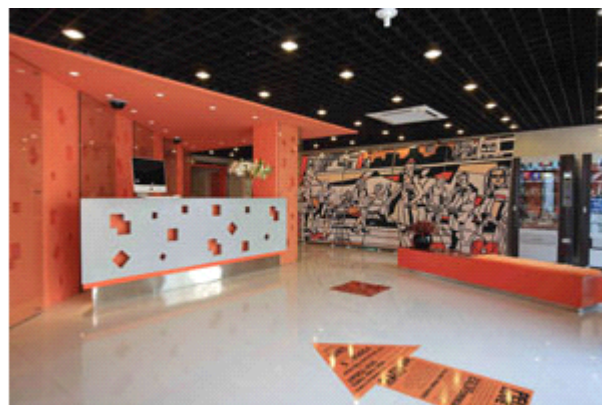
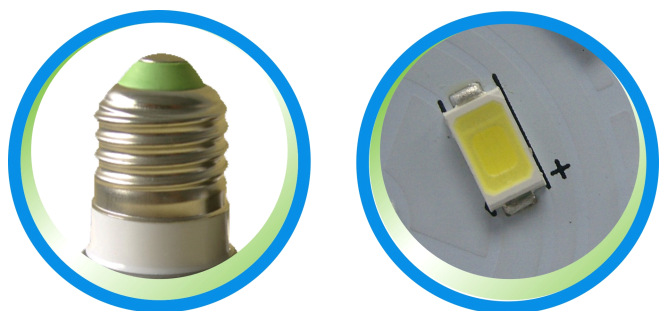
Rich and varied colors,to meet different places application requirements

CE,RoHS Certificate,3 years warranty



Application

Widely used in the square,park,road,factories,airports, subway,courtyard and so on.



深圳市润金照明科技有限公司

SHENZHEN RUNJIN LIGHTING TECHNOLOGY CO.,LTD

Address:深圳市宝安区石岩北环路华丰官田科技园 A3 栋 5 楼

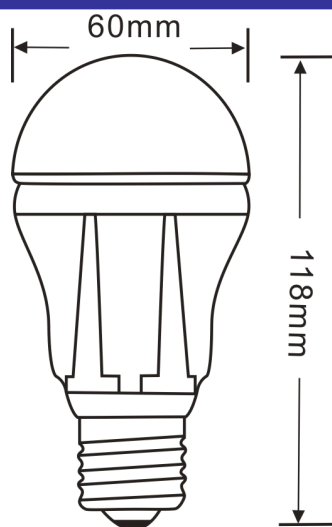
Address:5th floor,A3 building,Guantian Huafeng technology Park
shiyuan Beihuan Rd,BaoAn District,Shenzhen, china

Tel:86-0755-81782033

FAX:86-0755-81782099

Web:www.runjinlight.net

Dimensions



Specifications

Model	Rated Power	Input Voltage	CCT	Power factor	CRI	Lumen	LED Quantity	Base	Dimension
A60	10W	A100-240V	2700K 3000K 4000K 5000K 6000K	>0.9	>80	810lm	5630 samsung	E27 E26	OD60*118mm

Absolute Maximum Rating

Parameter	Rating	Units
Aluminum Heat Sink Temperature	55	° C
Operating Temperature	-20~+50	° C
Storage Temperature	-40~+80	° C
Equilibrium Temperature	25	° C

深圳市润金照明科技有限公司

SHENZHEN RUNJIN LIGHTING TECHNOLOGY CO.,LTD

Add:深圳市宝安区石岩北环路华丰官田科技园 A3 栋 5 楼

Add:5th floor,A3 building,Guantian Huafeng technology Park

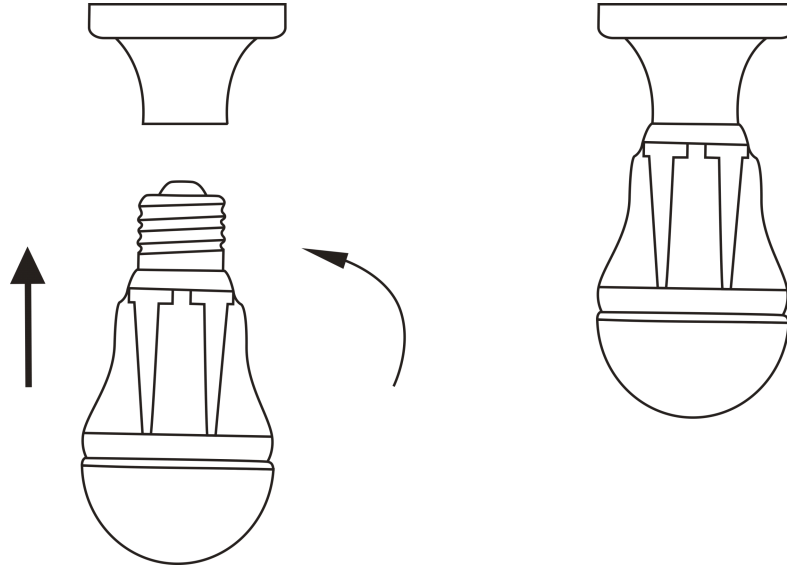
shiyan Beihuan Rd,BaoAn District,Shen zhen, china

Tel:86-0755-81782033

FAX:86-0755-81782099

Web:www.runjinlight.net

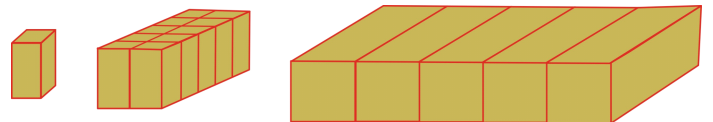
Installation



Please screw led par light into socket tightly

Product Pocking Specification

Packing Details	
Box Size:	65×65×135mm
Pack Quantity:	50PCS
Net Wight:	6.4Kg
Cross Weight Per CTN:	8.0Kg
CNT Size:	720×355×165mm



CAUTIONS

- Don't install or use it in a humid environment or placo which has wate drops.
- Don't take apart the product or replace mechanical and electronic components.
- Don't stare at the strong light for a long time as it may cause injury to eyes.
- Don't place light in sealed fixture or airlight condition.

深圳市润金照明科技有限公司

SHENZHEN RUNJIN LIGHTNG TECHNOLOGY CO.,LTD

Add:深圳市宝安区石岩北环路华丰官田科技园 A3 栋 5 楼

Add:5th floor,A3 building,Guantian Huafeng technology Park
shiyuan Beihuan Rd,BaoAn District,Shen zhen, china

Tel:86-0755-81782033

FAX :86-0755-81782099

W eb:w w w .runjinlight.net