

LED Bulbs Series(A60)

-----JP-A60

Features

Patented thermal structure design.
Energy saving 60%.

High brightness,low power led light,heat distribution,effective solution to cooling problems

Color rendering **index>80** .More realistic color reproduction

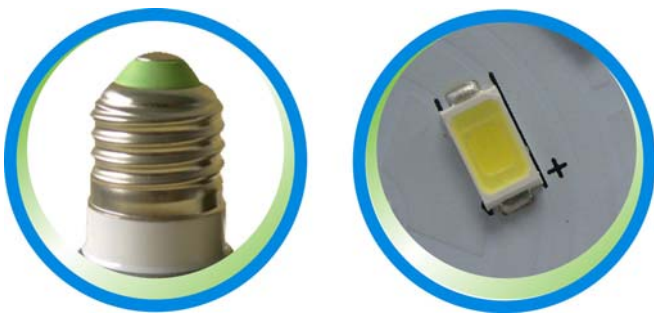
Rich and varied colors,to meet different places application requirements

CE,RoHS Certificate,2 years warranty

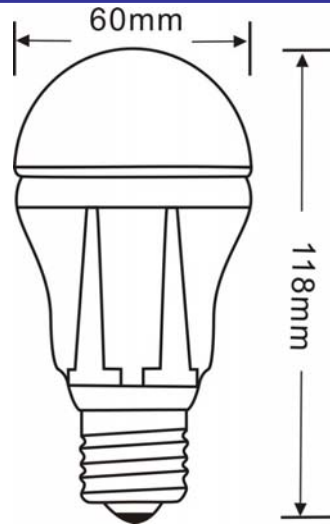


Application

Widely used in the square,park,road,factories,airports, subway,courtyard and so on.



Dimensions



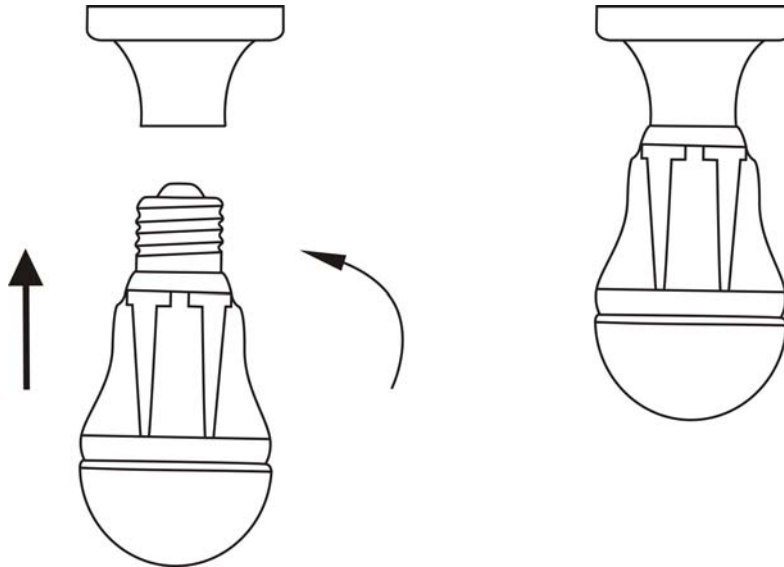
Specifications

Model	Rated Power	Input Voltage	CCT	Power factor	CRI	Lumen	LED Quantity	Base	Dimension
JPA60	7W	A100-240V	3000K 6000K	>0.9	>80	500lm	5630	E27 E26	OD60*118mm
JPA60	10W	A100-240V	3000K 6000K	>0.9	>80	810lm	5630	E27 E26	OD60*118mm

Absolute Maximum Rating

Parameter	Rating	Units
Aluminum Heat Sink Temperature	55	° C
Operating Temperature	-20~+50	° C
Storage Temperature	-40~+80	° C
Equilibrium Temperature	25	° C

Installation



Please screw led par light into socket tightly

Product Packing Specification

Packing Details	
Box Size:	65×65×135mm
Pack Quantity:	50PCS
Net Wight:	6.4Kg
Cross Weight Per CTN:	8.0Kg
CNT Size:	720×355×165mm



CAUTIONS

- Don't install or use it in a humid environment or placo which has wate drops.
- Don't take apart the product or replace mechanical and electronic components.
- Don't stare at the strong light for a long time as it may cause injury to eyes.
- Don't place light in sealed fixture or airlight condition.