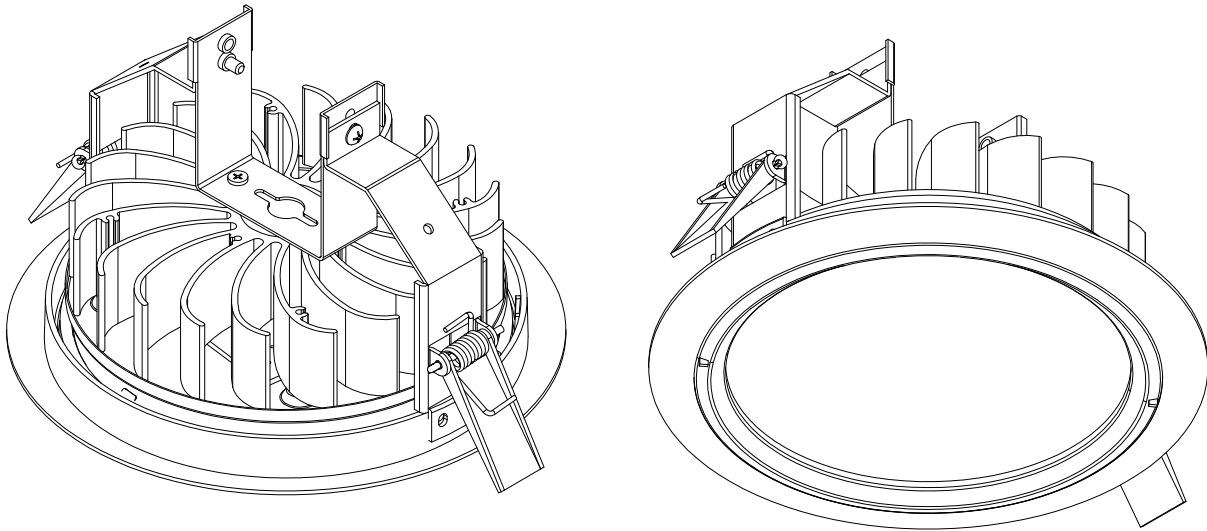


Specification

1/5

D167 Downlight (Low Power LED) Datasheet



Alliance Optotek Corp.

No.5, Lane 191, Chung-Ho St., Chupei City, Hsinchu 30267, Taiwan

Tel: +886-3-5551100 Fax: +886-3-5555050

<http://www.aoptk.com/>

Specification

2/5

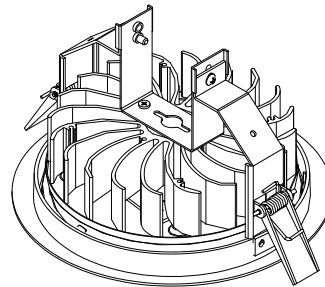
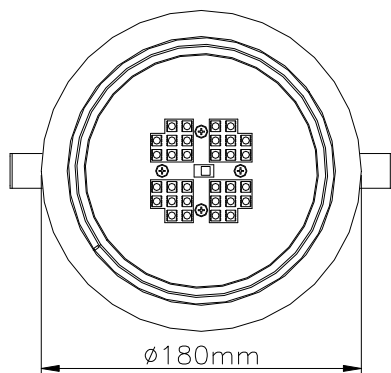
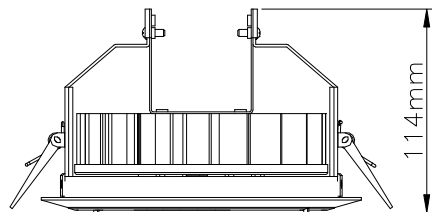
1. Applications:

Area: Indoor use only

2. Features:

- 105 degree beam angle.
- Optimized thermal management.
- Switching mode power designs give high-efficient and constant current source.
- High power factor design(>0.9)
- Long lifetime and energy-saving.
- Environmentally safe- no lead, no mercury, no UV

3. Outline Drawing:



Specification

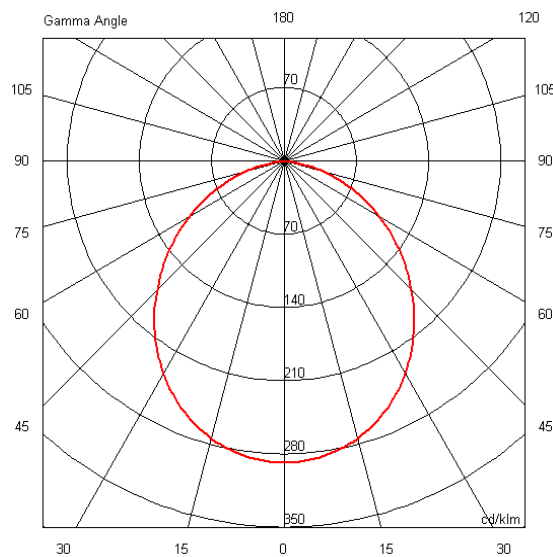
3/5

4. Specifications:

Item	Specification	Details
Physical	Dimension	ϕ 180x114mm(H)
	Weight	990g
	Housing	Aluminum alloy
	Ceiling opening	ϕ 167mm
Optical	Beam Angle	105°
	Output Lumens	890 lm typ.
	CRI	75 typ.
	CCT	6000K
	LEDs	32ea Low power LED
Electrical	Power Input	100~240Vac, 50/60Hz
	Power Consumption ¹	19±3 watt
	LED Current	Constant current mode
Temperature Range	Storage Temperature	-20°C ~ 65°C
	Operation Temperature	-20°C ~ 40°C
Others	Certification	CE

¹ The power tolerance is due to constant current driving and inherent variation of LED forward voltage.

5. Photometric:



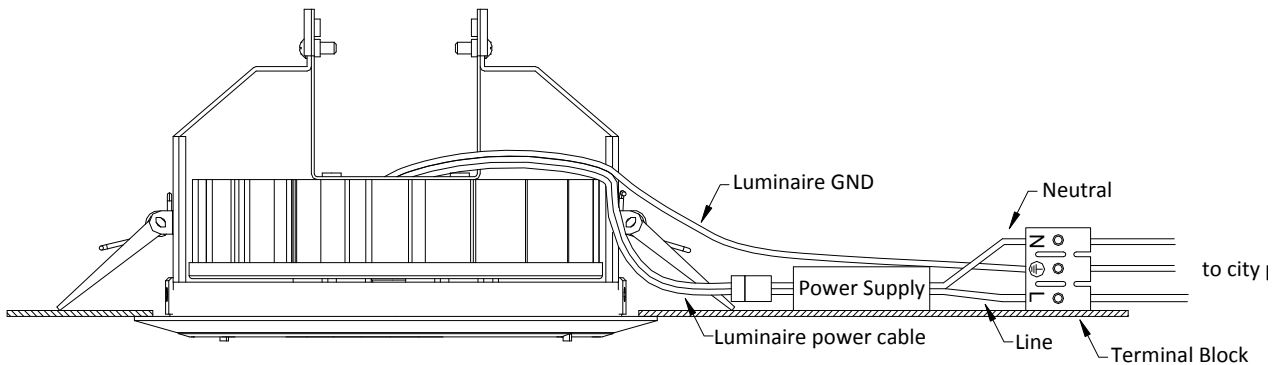
Beam Angle= 105°

Specification

4/5

6. Installation Guide:

- Step 1. Scribe a circle(ϕ 167mm) on ceiling in desired location.
- Step 2. Accurately cut hole in ceiling.
- Step 3. Make sure the power is turned OFF before installation.
- Step 4. Make certain the line/neutral/GND wires via the label on the supplied luminaire power cable.
 Then correctly connect the power supply power cable to city power via attaching terminal block.
- Step 5. Connect the power supply DC output to luminaire power cable.
- Step 7. Insert luminaire into ceiling and complete the installation as below.



7. Cautions:

- 7.1 **Do not supply the voltage higher than 264Vac.** It will damage the luminaire power supply.
- 7.2 Make sure the power is turned off before installation.
- 7.3 Be ready for all safety measures while working in high.
- 7.4 Check all the product facilities equipped well and no safety doubt.

8. Packing Information:

Packaging Unit [Pieces/ Unit]	Dimensions in [H x W x L]	Gross Weight
Folding carton box (contains 1 Piece)	220x205x130(mm)	1.1kg
Shipping carton box (contains 12 Piece)	825x422x264(mm)	13.5Kg

Specification

5/5

9. Reliability Testing:

Item	Test Condition	Test Results
Thermal Cycle Test	-20°C/15min~65°C/15min within 5min 500 cycles	Pass
High Temperature Storage Test	65±2°C for 168hrs	Pass
Low Temperature Storage Test	-20±2°C for 168hrs	Pass
High Temperature /Humidity Test	60°C/85%RH for 168hrs	Pass
Operating Test	40±2°C for 168 hrs	Pass
ESD (Electric Shock Test)	IEC 61000-4-2 Air: ±8KV; Contact: ±4KV	Pass